

FloorBed Bed Lever Instruction Manual

IFU-FL1-003EN REV 06

Contents

Title	Page
Welcome	2
General warnings	3
1. Safety Instructions	3
2. Intended use	3
3. Technical specification	3
4. Compatibility	4
5. Positioning	4
6. Fitting	6
7. Functionality check	7
8. Cleaning and Disinfection	7
9. Storage	7
10. Guarantee	7
11. Disposal	7
12. Table of symbols	8
13. Contact details	9

General

This accessory is classified as a Medical Device Class 1 in accordance with the Medical Devices Regulation 2002 as amended and the Medical Device Regulation 2017/745.



Notice to User

If a serious incident occurs in relation to this medical device, affecting the user or the patient, then the user or patient should report the serious incident to the medical device manufacturer (or distributor) and, in the European Union, the user should also report the serious incident to the Competent Authority in the member state where they are located.



Accora Ltd, 38 Main Street,
Swords, Co. Dublin, Ireland, K67 E0A2
T: +353 (0)1 695 0614

Welcome

Dear Customer,

Dear Customer,

Thank you for purchasing an Accora healthcare product. Before operating this accessory, you must read and understand all the instructions in this manual. All actions and handling of the accessory must be performed in accordance with the instructions in this manual.

Please ensure that the manual is available to users and operators throughout the accessory's service life.

If you need further information, please contact us. See section 13 for region specific contact details.

This instruction manual applies to the Accora Bed Lever.

The Accora Bed Lever is designed to be used by patients who have acquired an Accora medical bed and require an aid for getting in and out of bed, or help when repositioning whilst in the bed.

Before operating with this accessory, you must become acquainted in detail with this manual. All actions, and handling of the Accora Bed Lever, must be performed in accordance with the instructions in this manual.

Any actions that are inconsistent with this manual are performed at your own risk and Accora shall not be liable for any injury or damage. Please ensure that the manual is available to operators throughout the life of the Accora Bed Lever.

The Accora Bed Lever should be regularly checked by the carer/user to ensure the setup is correct and it is working as intended for the user.

Design Policy and Copyright

® And ™ are trademarks belonging to Accora Ltd unless otherwise stated. As our policy is one of continuous improvement, we reserve the right to modify designs without prior notice. © Accora Ltd 2020.

GENERAL WARNINGS

1. Keep this Instruction Manual available for future reference.
2. These instructions must be observed to ensure the safe and effective use of the Accora Bed Lever and the safety of users, carers and those around.
3. The Accora Bed Lever must be fitted, positioned and used in accordance with these instructions.
4. The safety features for using the Accora Bed Lever, and instructions for use, must be strictly observed at all times.
5. The Accora Bed Lever must not be exposed to smoke, naked flame, extreme temperature, flammable gases or other hazardous substances or situations.
6. Accora shall not be held liable for any damage, injuries or accidents arising from unauthorised modifications, non-genuine spare parts, negligence or use that is at variance with this manual.
7. When routing cables for other electronic equipment used with the bed (e.g. air mattress pump), ensure cables cannot be squeezed, crushed or damaged by the Accora Bed Lever.
8. Never stand on the Accora Bed Lever.
9. Never attach anything to the Accora Bed Lever.
10. Do not move the bed by pulling or pushing on the Accora Bed Lever.
11. Do not modify the Accora Bed Lever without the authorisation of Accora.
12. Patients, or users, should be risk assessed to ensure they can understand this manual and use the Accora Bed Lever safely without risk to themselves or others.
13. Accora shall not be held liable for any damage, injuries or accidents arising from negligence or use that is at variance with this manual.
14. The safety features for using the Accora Bed Lever, and instructions concerning this item, must be observed.
15. The Accora Bed Lever is not a side and must not be used in place of a side rail. The Accora Bed Lever is an aid.

1. Safety Instructions

1. Before using the Accora Bed Lever, you must read the manual and use this device in accordance with it.
2. The Accora Bed Lever may not be used if faults have been detected on it that may injure the patient, staff or a third person, or damage the Accora Bed Lever or the surroundings.
3. Before using the Accora Bed Lever, the operator should understand its functionality.
4. When replacing missing parts, only original materials and components must be used.
5. Make sure that the Accora Bed Lever is not in the way of any mattress guides when the backrest or legrest sections are raised. These may break and cause injury if trapped by the Accora Bed Lever.

2. Intended use

This Accora Bed Lever is intended for use in the following application environments only:

1. Application Environment 3 - Long-term care in a medical area where medical supervision is required and monitoring is provided if necessary and ME equipment used in medical procedures may be provided to help maintain or improve the condition of the patient. Note, this includes use in nursing homes and in rehabilitation and geriatric facilities.
2. Application Environment 4 - Care provided in a domestic area where ME equipment is used to alleviate or compensate for an injury, disability or disease

It is essential to consult Accora in advance if you wish to use the Accora Bed Lever for any purpose outside the use detailed in this manual.

3. Technical specification

Environmental information:

Condition	Temperature Range	Relative Humidity	Atmospheric pressure
Operating	+10°C to +40°C +50°F to +104°F	30% to 75%	700 hPa to 1060 hPa
Transport/ storage	-20°C to +50°C -4°F to +122°F	(Non-condensing)	

If the Accora Bed Lever is stored in conditions outside the normal operating range, it should be allowed time to stabilise, in normal operating conditions, before use.

Description	Standard bed lever: STLEV-0-FL1-100	Short bed lever: STLEVS-0-FL1-000
Overall dimensions	230mm W x 510mm H 9in W x 20in H	230mm W x 380mm H 9in W x 15in H
Fits bed frame bar size	25mm W x 50mm H 1in W x 2in H	25mm W x 50mm H 25mm W x 40mm H 1in W x 2in H
Fits bed frame bar size with plastic size reducing packer	20mm W x 40mm H 0.75mm W x 1.6in H	N/A
Weight	1.8kg 4lbs	1.5kg 3.3lbs

4. Compatibility

WARNING

Incompatible Bed Levers may result in entrapment and serious injury.

Use the table below to check compatibility.

Model name	Standard bed lever: STLEV-0-FL1-100	Short bed lever: STLEVS-0-FL1-000
FloorBed 1	<input checked="" type="checkbox"/> Fits model numbers: NSB-0-FL1-100 NSB-0-FL1-200 NSB-0-FL1-200US	<input checked="" type="checkbox"/> Fits model numbers: NSB-0-FL1-200 NSB-0-FL1-200US
FloorBed 1-Plus	<input checked="" type="checkbox"/> Fits model numbers: NSB-0-FL5-100 NSB-0-FL5-200 NSB-0-FL5-200US	<input checked="" type="checkbox"/> Fits model numbers: NSB-0-FL5-100 NSB-0-FL5-200 NSB-0-FL5-200US
FloorBed 2	<input checked="" type="checkbox"/> Fits model number: NSB-0-FL2-200	<input checked="" type="checkbox"/> Fits model number: NSB-0-FL2-200
CommunityBed	<input checked="" type="checkbox"/>	<input checked="" type="checkbox"/> Fits model number: NSB-0-CB1-000

Note

These bed levers must not be used if Safety Sleeve SLE-0-FL4-000 or SLE-0-FL4-100 is fitted to the bed.

5. Positioning

WARNING

The Accora Bed Lever must be positioned with due consideration to the best practice described below. Failure to do so may result in entrapment and serious injury.

Never use more than one Accora Bed Lever on each side of the bed.

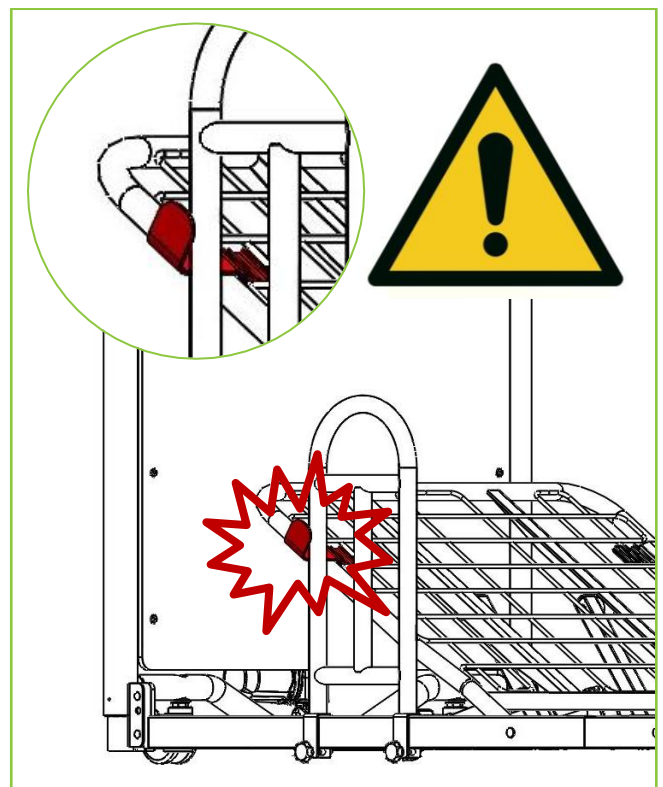
When selecting a position for the Accora Bed Lever, very careful consideration must be given to the fitting zones shown in the table on page 5.

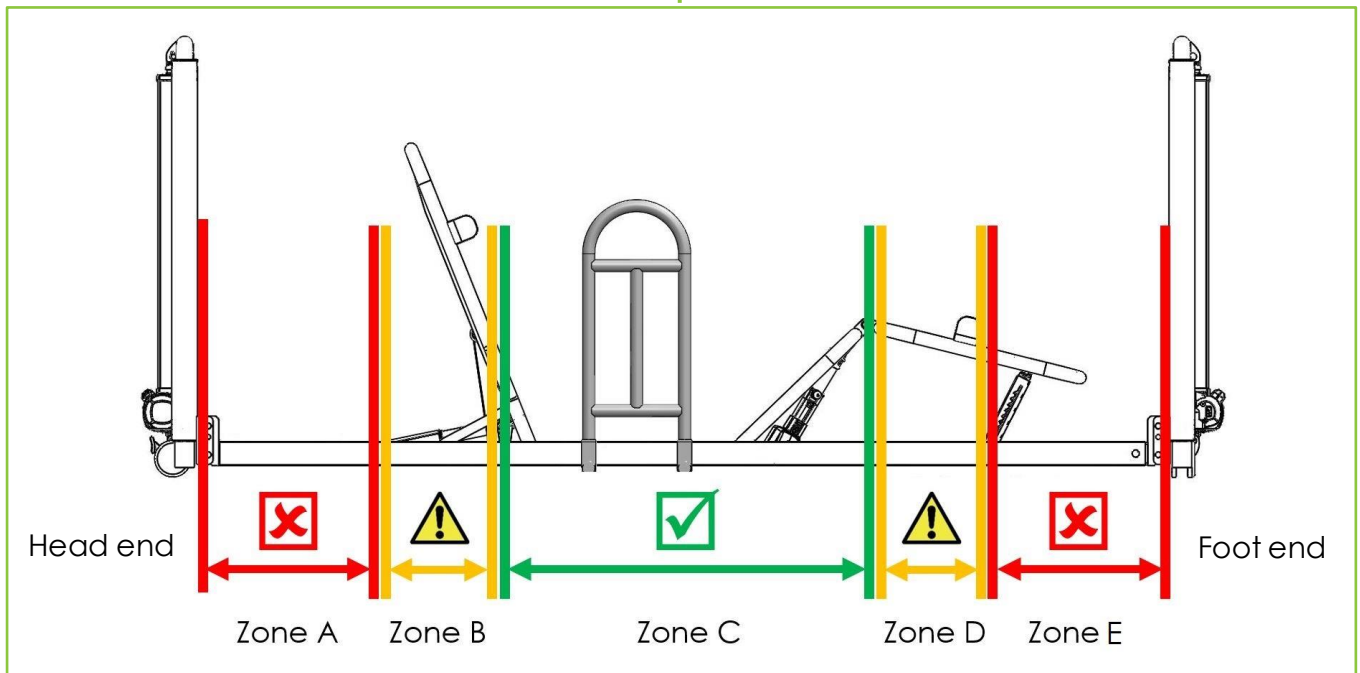
Zone A – The Accora Bed Lever must never be fitted in this zone. Fitting in this zone may cause an entrapment risk resulting in serious injury.

Zones B & D – The FloorBed Standard Bed Lever may only be used in this zone if the nearest mattress guide is removed and if it is safe to do so. This is to prevent a collision between the mattress guide and the Accora Bed Lever when the back or legrest is raised. See illustration below.

Zone C – The Accora Bed Lever may be used in this zone.

Zone E – The Accora Bed Lever must never be fitted in this zone. Fitting in this zone may cause an entrapment risk resulting in serious injury.





Model name	Fitting zone	Standard bed lever: STLEV-0-FL1-100	Short bed lever: STLEVS-0-FL1-000
FloorBed 1	Zone A - Measured from Headboard	0 – 370mm / 0 – 14.5in	0 – 370mm / 0 – 14.5in
	Zone B - Measured from Headboard	370 – 610mm / 14.5 – 24in	370 – 610mm / 14.5 – 24in
	Zone C - Measured from Headboard	610mm / 24in	610mm / 24in
	Zone C - Measured from Footboard	590mm / 23in	590mm / 23in
	Zone D - Measured from Footboard	370 – 590mm / 14.5 – 23in	370 – 590mm / 14.5 – 23in
	Zone E - Measured from Footboard	0 – 370mm / 0 – 14.5in	0 – 370mm / 0 – 14.5in
FloorBed 1-Plus	Zone A - Measured from Headboard	0 – 370mm / 0 – 14.5in	0 – 370mm / 0 – 14.5in
	Zone B - Measured from Headboard	370 – 750mm / 14.5 – 29.5in	370 – 750mm / 14.5 – 29.5in
	Zone C - Measured from Headboard	750mm / 29.5in	750mm / 29.5in
	Zone C - Measured from Footboard	560mm / 22in	560mm / 22in
	Zone D - Measured from Footboard	370 – 560mm / 14.5 – 22in	370 – 560mm / 14.5 – 22in
	Zone E - Measured from Footboard	0 – 370mm / 0 – 14.5in	0 – 370mm / 0 – 14.5in
FloorBed 2	Zone A - Measured from Headboard	0 – 370mm / 0 – 14.5in	0 – 370mm / 0 – 14.5in
	Zone B - Measured from Headboard	370 – 610mm / 14.5 – 24in	370 – 610mm / 14.5 – 24in
	Zone C - Measured from Headboard	610mm / 24in	610mm / 24in
	Zone C - Measured from Footboard	590mm / 23in	590mm / 23in
	Zone D - Measured from Footboard	370 – 590mm / 14.5 – 23in	370 – 590mm / 14.5 – 23in
	Zone E - Measured from Footboard	0 – 370mm / 0 – 14.5in	0 – 370mm / 0 – 14.5in
CommunityBed	Zone A - Measured from Headboard		0 – 615mm / 0 – 24in
	Zone B - N/A		N/A
	Zone C - Measured from Headboard		615mm / 24in
	Zone C - Measured from Footboard		395mm / 15.5in
	Zone D - N/A		N/A
	Zone E - Measured from Footboard		0 – 395mm / 0 – 15.5in

6. Fitting

WARNING

Fitting **MUST** be carried out by a competent person.

All functions **MUST** be tested and approved by a competent person after assembly.

Assembly **MUST** take place in a clear, uncluttered area and children and pets should be kept away.

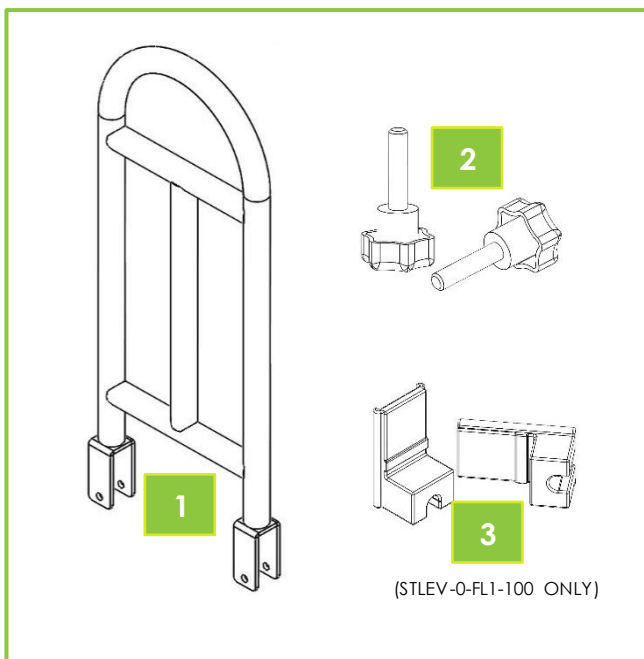
The Accora Bed Lever must not be fitted with the bed occupied.

The Accora Bed Lever **MUST** be fitted in accordance with the Positioning instructions in Section 5 of this manual.

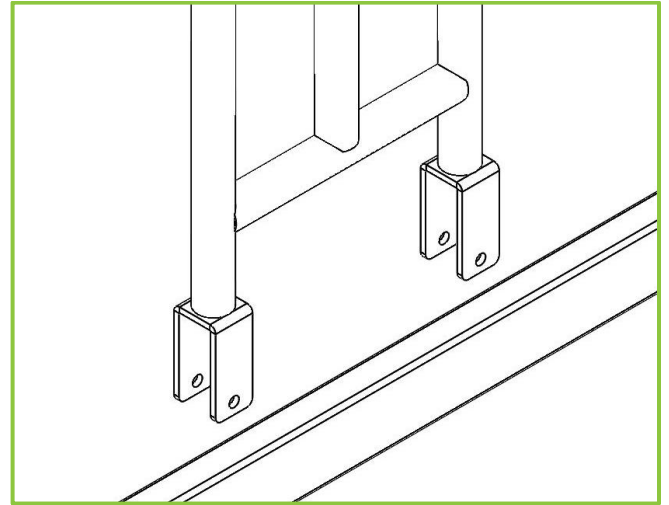
The nearest Mattress Guide **MUST** be removed if fitting the Bed Lever in Zone B or Zone D as shown in Section 5 of this manual.

Never use more than one Accora Bed Lever on each side of the bed.

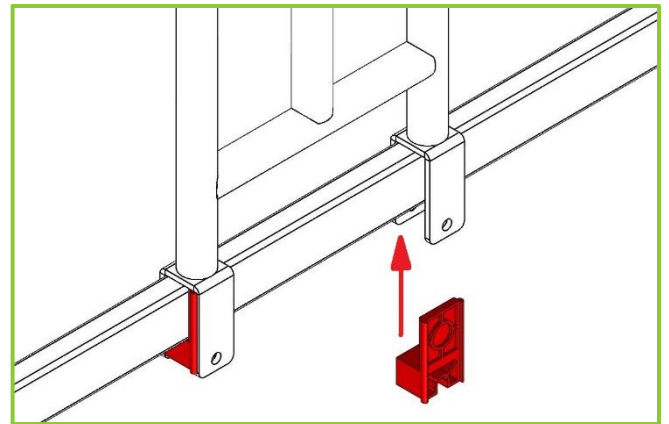
1. Check that the delivery is complete and whether any visible damage has occurred to the Accora Bed Lever during transport.
2. Identify all components:
 1. Bed Lever (showing STLEV-0-FL1-100)
 2. 2 x Fixing screws
 3. STLEV-0-FL1-100 ONLY - 2 x Plastic size reducing packers (To be used when fitting to a 40 x 20mm/1.6 x 0.75in bar.)



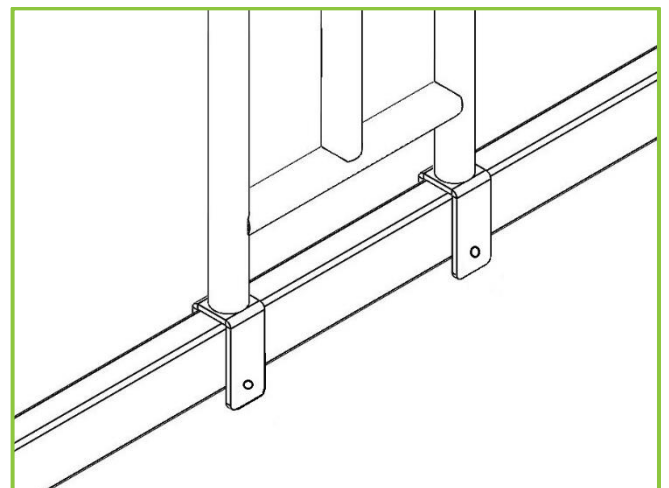
3. Make sure there is no obstruction to the Accora Bed Lever fitting. Fit the Accora Bed Lever to the bed frame in accordance with the positioning in Section 5 (showing STLEV-0-FL1-100):



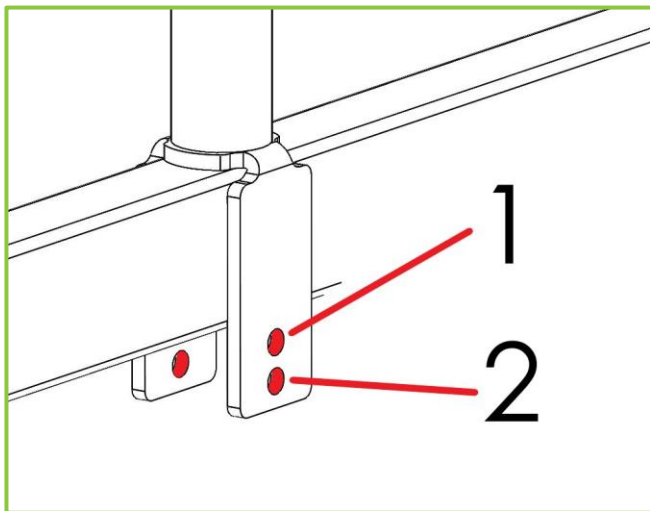
4. STLEV-0-FL1-100 ONLY - If the Standard Bed Lever is being fitted to a 40 x 20mm/1.6 x 0.75in bar, the plastic size reducing packers must be used as shown in red below (showing STLEV-0-FL1-100):



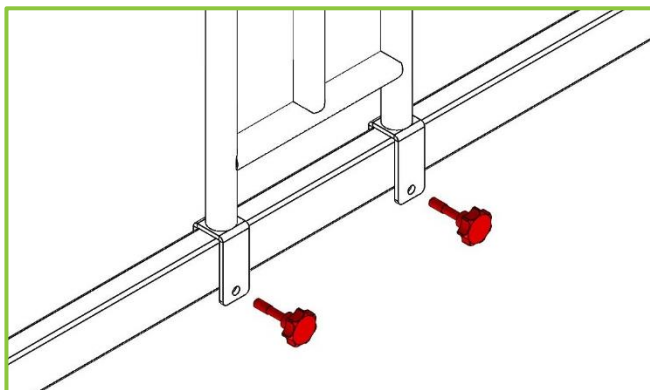
5. STLEV-0-FL1-100 ONLY - If the Standard Bed Lever is being fitted to a 50 x 25mm/2 x 1in bar, the plastic size reducing packers will not be needed (showing STLEV-0-FL1-100):



6. STLEVS-0-FL1-000 ONLY – Identify the correct fitting hole (showing STLEVS-0-FL1-000):
 1. Use fitting hole 1 when fitting to a 40 x 25mm bar (CommunityBed)
 2. Use fitting hole 2 when fitting to a 50 x 25mm (2in x 1in) bar (FloorBed)



7. Using the fixing screws, clamp the Accora Bed Lever firmly in place (showing STLEV-0-FL1-100):



7. Functionality check

WARNING

Fitting **MUST** be carried out by a competent person.
 All functions **MUST** be tested and approved by a competent person after assembly.
 Functionality check must not be carried out with the bed occupied.

1. STLEV-0-FL1-100 ONLY - Check the size reducing packers have been used if the bar to which the Standard Bed Lever is fitted is 40 x 20mm/1.6 x 0.75in.

2. STLEVS-0-FL1-000 ONLY - Check the correct fitting hole has been used if the bar to which the Short Bed Lever is fitted is 40 x 25mm.
3. Check the fitting screws are tight.
4. Check the Accora Bed Lever does not slide or wobble on the bar to which it has been fitted.
5. Make sure the nearest Mattress Guide has been removed if the Bed Lever has been fitted in Zone B.
6. Check the mattress for correct fitment.
7. Using the handset, raise and lower the backrest and leg rest to ensure smooth running and there is no risk of entrapment or collision.

7. Cleaning and Disinfection

WARNING

Cleaning and disinfection **MUST** be carried out by a competent person.
 All functions **MUST** be tested and approved by a competent person after cleaning or disinfection.

The Accora Bed Lever **MUST** be cleaned and disinfected before re-using the bed for a different patient.

To disinfect the Accora Bed Lever, only use detergents designed for use in healthcare. Do not use abrasives, scourers or other materials that could damage the coating. Do not use corrosives, caustics or strong acids. Do not use detergents that could alter the structure or behaviour of the plastics (petrol etc.).

8. Storage

For problem-free storage we recommend:

1. The Accora Bed Lever should be stored in a temperature between -20°C to +50°C, -4°F to +122°F
2. The Accora Bed Lever should be stored in a relative humidity (non-condensing) between 30% and 75%


















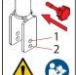
9. Guarantee

The warranty period for the Accora Bed Lever is 2 years.

10. Disposal

In the event of the disposal of materials from the bed lever, end-of-life parts must be disposed of in accordance with current environmental regulations.

11. Table of symbols

	Warning, beware of potential hazard – refer to instruction for use
	Warning, beware of potential hazard – refer to instruction for use
	Refer to instructions for use
	Complies with the European Medical Device Regulation 2017/745
	Complies with the Medical Devices Regulations 2002 as amended
	Medical Device in accordance with EU Medical Device Regulation 2017/745
	EC Representative
	Model number
	Serial number
	Manufactured date
	Manufacturer
	Safe
	Unsafe
	Unique Device Identification (UDI) label
	Entrapment warning label
	Fitting warning label
	Bed Lever positioning
	Fitting warning label

12. Contact details

	UK and Rest of World	USA
Address	Accora Ltd. Charter House Barrington Road Orwell Cambridge SG8 5QP UK	Accora Inc. 9210 Corporate Blvd. Suite 120 Rockville MD 20850 USA
Telephone	+44 (0)1223 206100	+1 301-560-2400
Email	info@accora.care	information@accora.care
Website	www.accora.care	www.accora.care

This page is intentionally blank

This page is intentionally blank

Accora



Accora
Barrington Road
Orwell
Cambridge
SG8 5QP
United Kingdom

T: +44 (0)1223 206100
info@accora.care

IFU-FL1-003EN REV 06