

FloorBed 2 Mattress Platform Protection Plates

IFU-FL2-006EN REV 01

Contents

Title	Page
Welcome	2
General warnings	3
1. Safety Instructions	3
2. Intend use	3
3. Technical specification	4
4. Positioning	4
5. Fitting to FloorBed 2 (NSB-0-FL2-200)	4
6. Functionality check	5
7. Cleaning and Disinfection	6
8. Storage	6
9. Guarantee	6
10. Disposal	6
11. Table of Symbols	7
12. Contact details	7

Design Policy and Copyright

® And ™ are trademarks belonging to Accora Ltd unless otherwise stated. As our policy is one of continuous improvement, we reserve the right to modify designs without prior notice. © Accora Ltd 2021.

Welcome

Dear Customer,

Thank you for purchasing an Accora healthcare product. Before operating the bed, you must read and understand all the instructions in this manual. All actions and handling of the bed must be performed in accordance with the instructions in this manual.

Please ensure that the manual is available to users and operators throughout the bed's service life.

If you need further information, please contact us. See section 12 for region specific contact details.

This instruction manual applies to the FloorBed 2 Mattress Platform Protection Plates.

The FloorBed 2 Mattress Platform Protection Plates are designed to ensure that the FloorBed 2 mattress platform is safe for use with juniors.

Before using this accessory, you must become acquainted in detail with this manual. All actions and handling of the FloorBed 2 Mattress Platform Protection Plates must be performed in accordance with the instructions in this manual.

Any actions that are inconsistent with the manual are performed at your own risk and Accora shall not be liable for any injury or damage. Please ensure that the manual is available to operators throughout the use of the FloorBed Mattress Platform Protection Plates.

FloorBed 2 Mattress Platform Protection Plates should be regularly checked to ensure it is fitted correctly and functioning as intended for the user.

GENERAL WARNINGS

1. Keep this Instruction Manual available for future reference.
2. These instructions must be observed to ensure the safe and effective use of the FloorBed 2 Mattress Platform Protection Plates and the safety of users, carers and those around.
3. The FloorBed 2 Mattress Platform Protection Plates must be fitted, positioned and used in accordance with these instructions.
4. The safety features for using the FloorBed 2 Mattress Platform Protection Plates and instructions for use must be strictly observed.
5. The FloorBed 2 Mattress Platform Protection Plates must not be exposed to smoke, naked flame, extreme temperature, flammable gases or other hazardous substances or situations.
6. Accora shall not be held liable for any damage, injuries or accidents arising from unauthorised modifications, non-genuine spare parts, negligence or use that is at variance with this manual.
7. When routing cables for other electronic equipment used with the bed (e.g. an air mattress pump), ensure cables cannot be squeezed, crushed or damaged by any moving parts of the bed or by the FloorBed 2 Mattress Platform Protection Plates.
8. Never stand on the FloorBed 2 Mattress Platform Protection Plates.
9. Never attach anything to the FloorBed 2 Mattress Platform Protection Plates.
10. Do not modify these FloorBed 2 Mattress Platform Protection Plates without the authorisation of Accora.
11. Patients, or users, should be risk assessed to ensure they can understand this manual and use the FloorBed 2 Mattress Platform Protection Plates safely without risk to themselves or others.
12. Accora shall not be held liable for any damage, injuries or accidents arising from negligence or use that is at variance with this manual.

1. Safety Instructions

1. Before using the Mattress Platform Protection Plates, you must read this manual and use the device in accordance with it.
2. The Mattress Platform Protection Plates may not be used if faults have been detected on it that may injure the patient, staff or a third person, or damage the Mattress Platform Protection Plates or the surroundings.
3. Before using the Mattress Platform Protection Plates, the operator should understand its functionality.
4. When replacing missing parts, only original materials and components must be used.

2. Intended use

The Mattress Platform Protection Plates accessory is intended for use with the FloorBed 2. The accessory is intended to be fitted when the FloorBed 2 is used by a junior. This closes the gap between the bed frame and headboard, increasing safety and offering additional support for the mattress.

Description	User Group
FloorBed 2 NSB-0-FL2-200	Adult patients Min 146cm height
FloorBed 2 Junior comprises FloorBed 2 NSB-0-FL2-200 + Head and Footboard Bumpers BMHNE-0-FL4-500 + Safety Sleeve SLE-0-FL4-100 + Protection Plates PROPL-0-FL4-500	Child patients Min 75cm height Max 155cm height

When the Protection Plates are fitted with the Bumper Set and Safety Sleeve, in accordance with their Instructions for Use, the bed is suitable for children as shown in the table above.

It is essential to consult Accora in advance if you wish to use the Mattress Platform Protection Plates for any purpose outside the use detailed in this manual.

3. Technical specification

Description	Value
Part number	PROPL-0-FL4-500
Overall dimensions	200 x 850 x 70mm 8 x 33 x 3in
Compatibility	FloorBed 2 (NSB-0-FL2-200)
Weight	4kg/9lbs

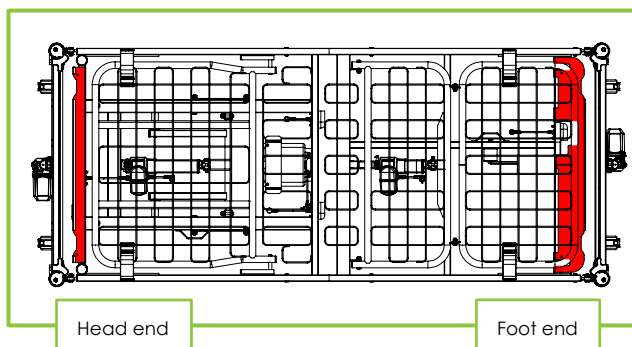
4. Positioning

WARNING

The FloorBed Mattress Platform Protection Plates **MUST NOT** be fitted while the bed is in use, i.e. has a person on the bed.

Only compatible Mattress Platform Protection Plates, as supplied by Accora, may be fitted to the FloorBed.

The Mattress Platform Protection Plates comprises of two separate plates. One plate should be fitted to the head end of the bed, the other to the foot end of the bed, as shown below:



5. Fitting to FloorBed 2 (NSB-0-FL2-200)

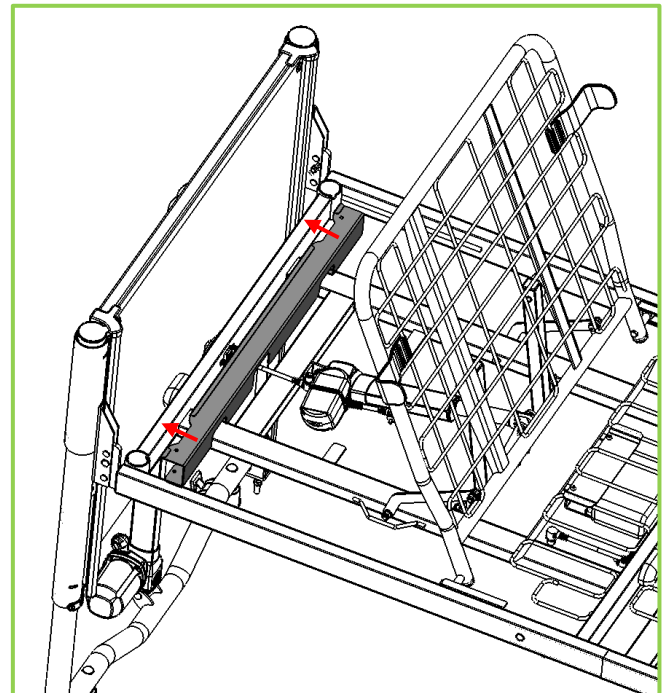
WARNING

Fitting **MUST** be carried out by a competent person.

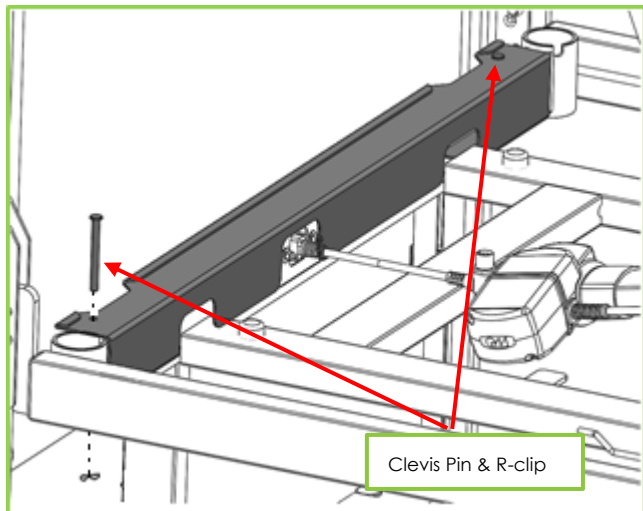
Fitting **MUST** take place in a clear, uncluttered area and children and pets should be kept away.

The Mattress Platform Protection Plates must not be fitted with a patient in the bed.

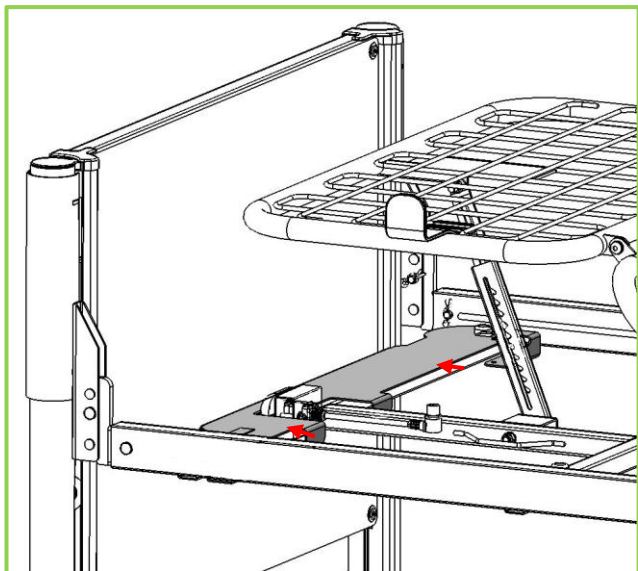
1. Check the delivery is complete and undamaged. Do not use if any damage has occurred. You should have received:
 - a. Head end protection plate
 - b. Foot end protection plate
 - c. 2 x 60mm clevis pins
 - d. 2 x 35mm clevis pins
 - e. 4 x R clips
2. Remove accessories, bedding, mattress etc. from the bed and store in a safe place.
3. The protection plate brackets attach onto the end bars of the bed frame. These bars are different sizes; therefore, the head end protection plate will only fit on the head end of the bed, the foot end protection plate will only fit onto the foot end of the bed.
4. To attach the head end protection plate, lift the backrest mattress platform to an upright position (refer to FloorBed User Manual). Slide the head end protection plate over the bed frame bar as shown below:



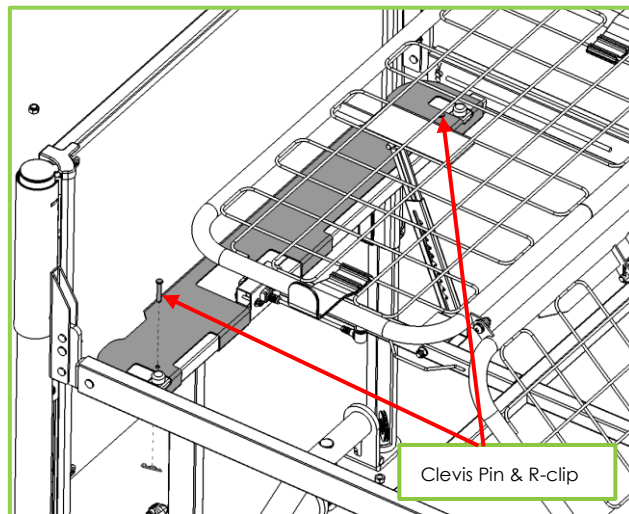
5. Once the protection plate has been fitted to the bed frame bar, it should be secured using the two clevis pins and R-Clips which have been supplied within this product. There are two lengths of clevis pins supplied; the head end protection plate should use the longer clevis pins (60mm). The clevis pins must be fitted in the orientation shown below:



6. To attach the foot protection plate, lift the legrest mattress platform to the raised position (refer to FloorBed User Manual). Slide the foot end protection plate bracket over the bed frame bar as shown below:



7. Once the protection plate has been fitted to the bed frame bar, it should be secured using the two clevis pins and R-Clips which have been supplied with this product. The foot end protection plate should use the shorter clevis pins (35mm). The clevis pins must be fit in the orientation as shown below:



6. Functionality check

WARNING

Fitting **MUST** be carried out by a competent person.

All bed functions **MUST** be tested and approved by a competent person after assembly.

Functionality check must not be carried out with the bed occupied.

Check the following:

1. Raise and lower the bed, backrest and leg rest – do the protection plates interfere with any movement of the bed?
2. Are the protection plates secure and of a tight fit?

7. Cleaning and Disinfection

WARNING

Cleaning and disinfection **MUST** be carried out by a competent person.

All functions **MUST** be tested and approved by a competent person after cleaning or disinfection.

The FloorBed protection plates **MUST** be cleaned and disinfected before re-using the bed for a different patient.

To disinfect the Mattress Platform Protection Plates, only use detergents designed for use in healthcare. Do not use abrasives, scorers or other materials that could damage the coating. Do not use corrosives, caustics or strong acids.

Do not use detergents that could alter the structure or behaviour of the plastics (petrol etc.).

8. Storage

For problem-free storage we recommend:

1. FloorBed Mattress Platform Protection Plates should be stored in a temperature between -20°C to +50°C, -4°F to +122°F
2. FloorBed Mattress Platform Protection Plates should be stored in a relative humidity (non-condensing) between 30% and 75%.







9. Guarantee

The warranty period for the FloorBed Mattress Platform Protection Plates is 2 years.

10. Disposal

In the event of the disposal of the FloorBed mattress Platform Protection Plates, end-of-life parts must be disposed of in accordance with current environmental regulations.

11. Table of Symbols

	Warning, beware of potential hazard – refer to instructions for use
	Refer to instructions for use
	Model number
	Lot number
	Manufactured date
	Manufacturer

12. Contact details

Address	Accora Ltd. Charter House Barrington Road Orwell Cambridge SG8 5QP UK
Telephone	+44 (0)1223 206100
Email	info@accora.care
Website	www.accora.care

Accora



Accora
Barrington Road
Orwell
Cambridge
SG8 5QP
United Kingdom

T: +44 (0)1223 206100
info@accora.care
www.accora.care

IFU-FL2-006EN REV 01