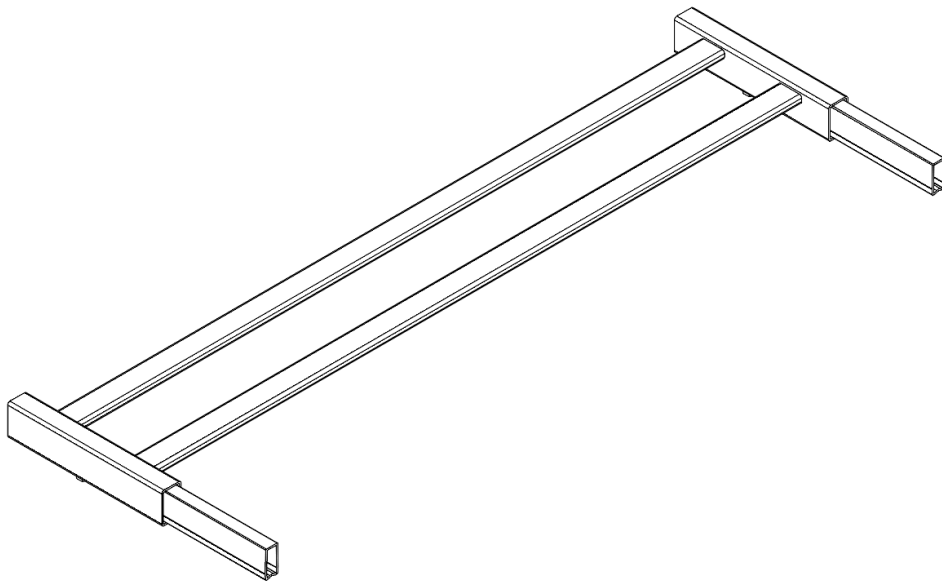


CommunityBed



CommunityBed Mattress Platform Extension Instruction Manual

IFU-CB1-004 EN REV 01

SEPTEMBER 2017

Contents

Title	Page
Welcome	2
General warnings	3
1. Safety Instructions	3
2. Intended use	3
3. Technical specification	4
4. Positioning	4
5. Fitting	4
6. Functionality check	5
7. Cleaning and Disinfection	5
8. Storage	6
9. Guarantee	6
10. Disposal	6
11. Contact details	7

Design Policy and Copyright

® And ™ are trademarks belonging to Accora Ltd unless otherwise stated. As our policy is one of continuous improvement, we reserve the right to modify designs without prior notice. © Accora Ltd 2017.

Welcome

Dear Customer,

Thank you for purchasing an Accora healthcare product. We feel sure that this product will exceed your expectations.

This manual is important for using the CommunityBed Mattress Platform Extension correctly; please read it before use. If you need further information, please contact:

Accora Customer Service

Tel: 01223 206100

Fax: 01223 206120

E-mail: info@accora.uk.com

This instruction manual applies to the CommunityBed Mattress Platform Extension.

The CommunityBed Mattress Platform Extension is designed to facilitate the safe extension of the CommunityBed mattress platform.

Before using this accessory, you must become acquainted in detail with this manual. All actions and handling of the CommunityBed Mattress Platform Extension must be performed in accordance with the instructions in this manual.

Any actions that are inconsistent with the manual are performed at your own risk and Accora shall not be liable for any injury or damage. Please ensure that the manual is available to operators throughout the CommunityBed Mattress Platform Extension's life.

The CommunityBed Mattress Platform Extension should be regularly checked to ensure it is fitted correctly and functioning as intended for the user.

GENERAL WARNINGS

1. Keep this Instruction Manual available for future reference.
2. These instructions must be observed to ensure the safe and effective use of this CommunityBed Mattress Platform Extension and the safety of users, carers and those around.
3. The CommunityBed Mattress Platform Extension must be fitted, positioned and used in accordance with these instructions.
4. The safety features for using the CommunityBed Mattress Platform Extension and instructions for use must be strictly observed.
5. The CommunityBed Mattress Platform Extension must not be exposed to smoke, naked flame, extreme temperature, flammable gases or other hazardous substances or situations.
6. Accora shall not be held liable for any damage, injuries or accidents arising from unauthorised modifications, non-genuine spare parts, negligence or use that is at variance with this manual.
7. When routing cables for other electronic equipment used with the bed (e.g. an air mattress pump), ensure cables cannot be squeezed, crushed or damaged by any moving parts of the bed or by the CommunityBed Mattress Platform Extension.
8. Never stand on the CommunityBed Mattress Platform Extension.
9. Do not modify this CommunityBed Mattress Platform Extension.
10. Accora shall not be held liable for any damage, injuries or accidents arising from negligence or use that is at variance with this manual.

1. Safety Instructions

1. Before using the CommunityBed Mattress Platform Extension, you must read this manual and use the device in accordance with it.
2. The CommunityBed Mattress Platform Extension may not be used if faults have been detected on it that may injure the patient, staff or a third person, or damage the CommunityBed Mattress Platform Extension or the surroundings.
3. Before using the CommunityBed Mattress Platform Extension, the operator should understand its functionality.
4. When replacing missing parts, only original materials and components must be used.

2. Intended use

The CommunityBed Mattress Platform Extension accessory is intended for use with the Accora CommunityBed only. The accessory is intended to be fitted when the bed frame has been extended; it fills the gap and supports the mattress.

The CommunityBed Mattress Platform Extension is intended for use in the following application environments only:

1. Application Environment 3 - Long-term care in a medical area where medical supervision is required and monitoring is provided if necessary and ME equipment used in medical procedures may be provided to help maintain or improve the condition of the patient. Note, this includes use in nursing homes and in rehabilitation and geriatric facilities.
2. Application Environment 4 - Care provided in a domestic area where ME equipment is used to alleviate or compensate for an injury, disability or disease

It is essential to consult Accora in advance if you wish to use the CommunityBed Mattress Platform Extension for any purpose outside the use detailed in this manual.

3. Technical specification

Environmental information:

Condition	Temperature Range	Relative Humidity	Atmospheric pressure
Operating	+10°C to +40°C +50°F to +104°F	30% to 75% (Non-condensing)	700 hPa to 1060 hPa
Transport/ storage	-20°C to +50°C -4°F to +122°F		

If the CommunityBed Mattress Platform Extension is stored in conditions outside the normal operating range, it should be allowed time to stabilise, in normal operating conditions, before use.

Description	Value
Overall dimensions	890mm W x 330mm H x 50mm D
Weight	0.5kg
Part number	LRPEX-0-CB1-000
Fits bed	NSB-0-CB1-000
Expected service life	5 years

4. Positioning

WARNING

The CommunityBed Mattress Platform Extension **MUST NOT** be fitted while the bed is in use, i.e. has a person on the bed.

Only compatible mattress platform extensions, as supplied by Accora, may be fitted to the CommunityBed.

The CommunityBed Mattress Platform Extension must only be used when the CommunityBed has been extended.

The CommunityBed Mattress Platform Extension must be positioned at the foot end of the bed.

Ensure the CommunityBed Mattress Platform Extension you have is the correct type to fit your CommunityBed by identifying the model number of your CommunityBed (shown on the Manufacturer's name plate on the inside of the frame at the head end).

If the CommunityBed is dismantled and moved on its transport brackets, the Mattress Platform Extension can remain in place. It does not need to be removed.

5. Fitting

WARNING

Fitting **MUST** be carried out by suitably trained and competent personnel.

All functions **MUST** be tested and approved after fitting by suitably trained and qualified personnel.

Fitting **MUST** take place in a clear, uncluttered area and children and pets should be kept away.

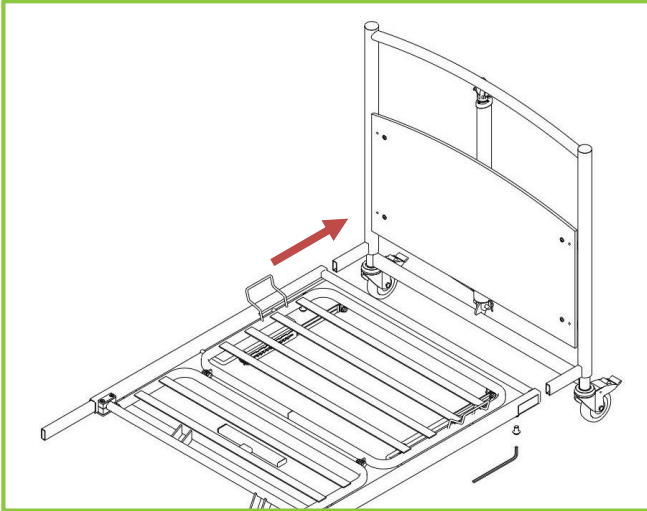
The CommunityBed Mattress Platform Extension **MUST NOT** be fitted while the bed is in use, i.e. has a person on the bed.

When routing cables and pipes for an air mattress pump, ensure cables cannot be squeezed, crushed or damaged by any moving parts of the bed or by the CommunityBed Mattress Platform Extension.

1. Check the delivery is complete and undamaged. You should receive:
 1. Mattress Platform Extension
 2. 2 x M8 x 12mm socket screw
 3. 5mm Allen key

Do not use if any parts are missing or if any damage has occurred.
2. Ensure the CommunityBed Mattress Platform Extension you have is the correct type to fit your CommunityBed – see Section 3.
3. Remove accessories, bedding, mattress etc. from the bed and store in a safe place.
4. Check underneath and around the bed to make sure there are no obstructions or entrapment risks. Lower the bed to the lowest position and remove the plug from the mains socket.
5. Lock the head end castor brakes, and release the foot end castor brakes.

- Using the 5mm Allen key, loosen the two M8 x 12mm socket screws, one either side, holding the bed foot end to the mattress platform. Carefully slide the bed foot end away from the mattress platform. There is no need to disconnect the cable from the foot end actuator; lay the bed foot end carefully on the floor close to the bed and the cable will extend sufficiently.



- Slide the Platform Extension fully into the mattress platform. Tighten the two M8 x 12mm socket screws on the mattress platform.
- Slide the bars on the bed foot end into the Platform Extension. Fit the two M8 x 12mm socket screws into the Platform Extension and tighten.



- Ensure that either a longer mattress of the correct size, or a foam squab of the correct size with the original mattress, are used with the extended bed. The mattress or foam squab must fully fill the gap and must leave no entrapment gaps.

6. Functionality check

WARNING

Functionality check **MUST** be carried out by suitably trained and competent personnel.

All CommunityBed Mattress Platform Extension functions **MUST** be tested and approved by suitably trained and qualified personnel.

The functionality check **MUST NOT** be carried out while the bed is in use, i.e. has a person on the bed.

When routing cables and pipes for an air mattress pump, ensure cables cannot be squeezed, crushed or damaged by any moving parts of the bed or by CommunityBed Mattress Platform Extension.

- Check the CommunityBed Mattress Platform Extension is the correct type for the bed. See Section 3.
- Check the CommunityBed Mattress Platform Extension is fitted correctly to the bed.
- Check that no cables or pipes are at risk of being squeezed, crushed or damaged by any moving parts of the bed or by the CommunityBed Mattress Platform Extension.

7. Cleaning and Disinfection

WARNING

Cleaning and disinfection **MUST** be carried out by suitably trained and competent personnel.

All functions **MUST** be tested and approved by suitably trained and qualified personnel.

The CommunityBed Mattress Platform Extension **MUST** be cleaned and disinfected before re-using the bed for a different patient.

To disinfect the CommunityBed Mattress Pump Mount, only use detergents designed for use in healthcare. Do not use abrasives, scourers or other materials that could damage the coating. Do not use corrosives, caustics or strong acids. Do not use detergents that could alter the structure or behaviour of the plastics (petrol etc.).

8. Storage

For problem-free storage we recommend:

1. CommunityBed Mattress Platform Extension should be stored in a temperature between -20°C to +50°C, -4°F to +122°F
2. CommunityBed Mattress Platform Extension should be stored in a relative humidity (non-condensing) between 30% and 75%

9. Guarantee

The warranty period for the CommunityBed Mattress Platform Extension is 2 years.

10. Disposal

In the event of the disposal of the CommunityBed Mattress Platform Extension, end-of-life parts must be disposed of in accordance with current environmental regulations.

11. Contact details

Address	Accora Ltd. Charter House Barrington Road Orwell Cambridge SG8 5QP UK
Telephone	+44 (0)1223 206100
Email	info@accora.uk.com
Website	www.accora.uk.com



Accora
Charter House
Barrington Road
Orwell
Cambridge
SG8 5QP

T: +44 (0)1223 206100
F: +44 (0)1223 206120
info@accora.uk.com
www.accora.uk.com