

# CommunityBed Bed Lever Instruction Manual

JAN 2024 IFU-CB1-002EN REV 04

## Contents

Title	Page
Welcome	2
General warnings	3
1. Safety Instructions	3
2. Intended use	3
3. Technical specification	4
4. Positioning	4
5. Fitting	5
6. Functionality check	6
7. Cleaning and Disinfection	6
8. Storage	6
9. Guarantee	6
10. Disposal	6
11. Table of symbols	7
12. Contact details	7

## General

This CommunityBed accessory is classified as a Medical Device Class 1 in accordance with the Medical Devices Regulation 2002 as amended and the Medical Device Regulation 2017/745.



### Notice to User

If a serious incident occurs in relation to this medical device, affecting the user or the patient, then the user or patient should report the serious incident to the medical device manufacturer (or distributor) and, in the European Union, the user should also report the serious incident to the Competent Authority in the member state where they are located.



Accora Ltd, 38 Main Street,  
Swords, Co. Dublin, Ireland, K67 E0A2  
T: +353 (0)1 695 0614

## Welcome

Dear Customer,

Thank you for purchasing an Accora healthcare product. Before operating the bed, you must read and understand all the instructions in this manual. All actions and handling of the bed must be performed in accordance with the instructions in this manual.

Please ensure that the manual is available to users and operators throughout the bed's service life.

If you need further information, please contact us. See section 12 for region specific contact details.

This instruction manual applies to the CommunityBed Bed Lever.

The CommunityBed Bed Lever is designed to be used by patients who have acquired a CommunityBed and require an aid for getting in and out of bed, or for help when repositioning whilst in the bed.

Before using this accessory, you must become acquainted in detail with this manual. All actions and handling of the CommunityBed Bed Lever must be performed in accordance with the instructions in this manual.

Any actions that are inconsistent with the manual are performed at your own risk and Accora shall not be liable for any injury or damage. Please ensure that the manual is available to operators throughout the CommunityBed Bed Lever's life.

The CommunityBed Bed Lever should be regularly checked by the carer/user to ensure the setup is correct and it is working as intended for the user.

## Design Policy and Copyright

® And ™ are trademarks belonging to Accora Ltd unless otherwise stated. As our policy is one of continuous improvement, we reserve the right to modify designs without prior notice. © Accora Ltd 2021.

## GENERAL WARNINGS

1. Keep this Instruction Manual available for future reference.
2. These instructions must be observed to ensure the safe and effective use of this CommunityBed Bed Lever and the safety of users, carers and those around.
3. The CommunityBed Bed Lever must be fitted, positioned and used in accordance with these instructions.
4. The safety features for using the CommunityBed Bed Lever and instructions for use must be strictly observed.
5. The CommunityBed Bed Lever must not be exposed to smoke, naked flame, extreme temperature, flammable gases or other hazardous substances or situations.
6. Accora shall not be held liable for any damage, injuries or accidents arising from unauthorised modifications, non-genuine spare parts, negligence or use that is at variance with this manual.
7. When routing cables for other electrical equipment used with the bed (e.g. air mattress pump), ensure cables cannot be squeezed, crushed or damaged by the CommunityBed Bed Lever.
8. Never stand on the CommunityBed Bed Lever.
9. Never attach anything to the CommunityBed Bed Lever.
10. Do not move the bed by pulling or pushing on the CommunityBed Bed Lever.
11. Do not modify this CommunityBed Bed Lever.
12. Patients, or users, should be risk assessed to ensure they understand this manual and can use the CommunityBed Bed Lever safely without risk to themselves or others.
13. Accora shall not be held liable for any damage, injuries or accidents arising from negligence or use that is at variance with this manual.
14. The safety features for using the CommunityBed Bed Lever, and instructions concerning this item must be observed.
15. The CommunityBed Bed Lever is not a Side rail and must not be used in place of a Side rail. The CommunityBed Bed Lever is an aid.

## 1. Safety Instructions

1. Before using the CommunityBed Bed Lever, you must read the manual and use this device in accordance with it.
2. The CommunityBed Bed Lever may not be used if faults have been detected on it that may injure the patient, staff or a third person, or damage the CommunityBed Bed Lever or the surroundings.
3. Before using the CommunityBed Bed Lever, the operator should understand its functionality.
4. When replacing missing parts, only original materials and components must be used.
5. Check that the Backrest or Legrest sections of the CommunityBed don't collide with the Bed Lever when either section is raised or lowered.

## 2. Intended use

The CommunityBed Bed lever is used to aid a person getting out of bed.

This CommunityBed Bed Lever is intended for use in the following application environments only:

1. Application Environment 3 - Long-term care in a medical area where medical supervision is required and monitoring is provided if necessary and ME equipment used in medical procedures may be provided to help maintain or improve the condition of the patient. Note, this includes use in nursing homes and in rehabilitation and geriatric facilities.
2. Application Environment 4 - Care provided in a domestic area where ME equipment is used to alleviate or compensate for an injury, disability or disease

It is essential to consult Accora in advance if you wish to use the CommunityBed Bed Lever for any purpose outside the use detailed in this manual.

Note: the Bed Lever cannot be fitted to a CommunityBed which already has siderails fitted.

### 3. Technical specification

Description	Value
Overall dimensions	245mm W x 527mm H x 75mm D
Fits bed frame bar size	25mm W x 40mm H
Weight	2.3kg
Part number	STLEV-0-CB1-000
Fits bed	NSB-0-CB1-000 NSB-0-CB1-100
Service life	5 years

Environmental information:

Condition	Temperature Range	Relative Humidity	Atmospheric pressure
Operating	+10°C to +40°C +50°F to +104°F	30% to 75%	700 hPa to 1060 hPa
Transport/ storage	-20°C to +50°C -4°F to +122°F	(Non-condensing)	

If the CommunityBed Bed Lever is stored in conditions outside the normal operating range, it should be allowed time to stabilise, in normal operating conditions, before use.

#### Note

This bed lever must not be used if Safety Sleeve SLE-0-FL4-000 or SLE-0-FL4-100 is fitted to the bed.

### 4. Positioning

#### WARNING

The CommunityBed Bed Lever must be positioned with due consideration to the best practice described below. Failure to do so may result in entrapment and serious injury.

Never use more than one CommunityBed Bed Lever on each side of the bed.

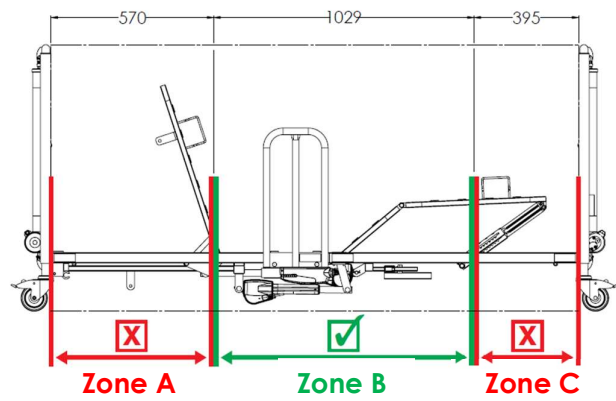
When selecting a position for the CommunityBed Bed Lever, very careful consideration must be given to the fitting zones shown below.

**Zone A** – DO NOT fit the CommunityBed Bed Lever in this zone. Fitting in this zone may cause an entrapment risk resulting in serious injury.

**Zone B** – ONLY fit the CommunityBed Bed Lever in this zone.

**Zone C** – DO NOT fit the CommunityBed Bed Lever in this zone. Fitting in this zone may cause an entrapment risk resulting in serious injury.

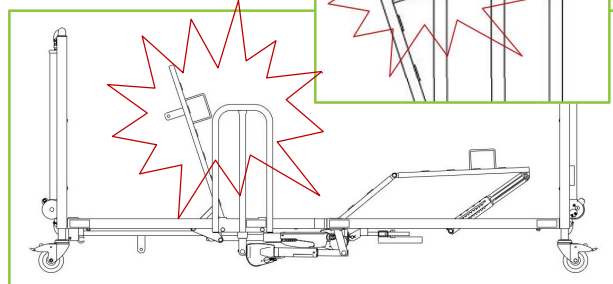
Community Bed Bed Lever Fitting Zone:



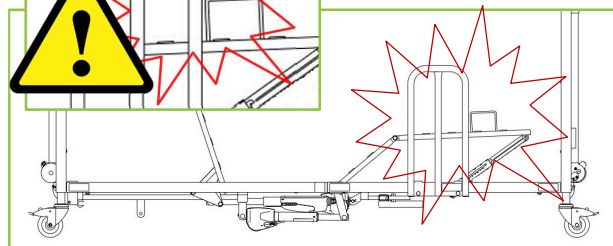
Description	Measurement
Zone A (Measured from Headboard)	0 – 570mm 0 – 22.4in
Zone B (Total length available)	1029mm / 40.5in
Zone C (Measured from Footboard)	0 – 395mm 0 – 15.5in

#### Zone A – Note –

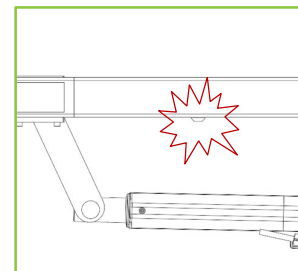
Ensure mattress guide does not collide with bed lever.



**Zone C** – Note –  
Ensure mattress guide does not collide with bed lever.



**Note** – To fit in the 725mm position, the platform securing thumb screw will need to be changed to a flat headed hex bolt. These are available from Accora.



## 5. Fitting

### WARNING

Fitting **MUST** be carried out by a suitably trained and qualified person.

All functions **MUST** be tested and approved by a competent person after assembly.

Assembly **MUST** take place in a clear, uncluttered area and children and pets should be kept away.

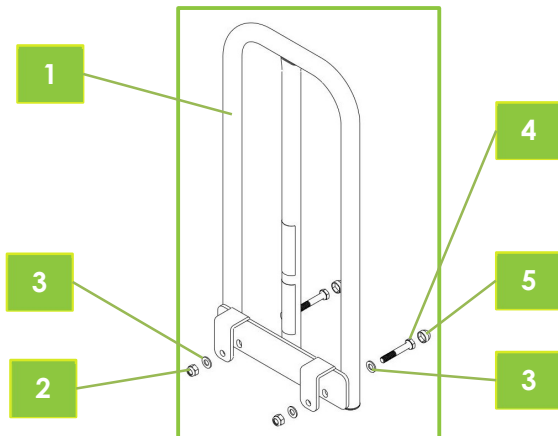
The CommunityBed Bed Lever **MUST NOT** be fitted while the bed is in use, i.e. has a person on the bed.

The Bed Lever **MUST** be fitted in accordance with the Positioning instructions in Section 4 of this manual.

Never use more than one CommunityBed Bed Lever on each side of the bed.

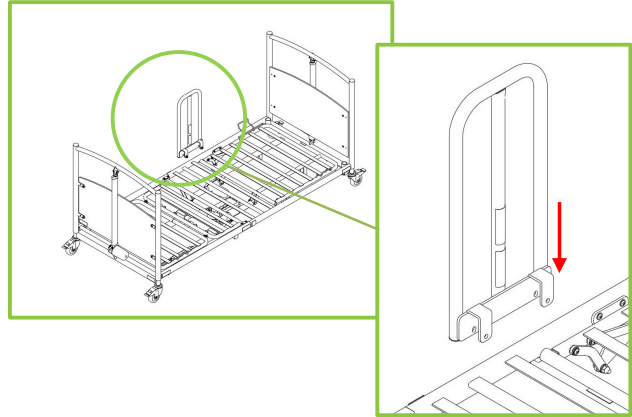
Bed Lever and Siderails cannot be fitted at the same time.

1. Identify all components:
  1. CommunityBed Bed Lever
  2. 2 x M8 Nyloc Nuts
  3. 4 x M8 Plain Washers
  4. 2 x M8 x 50mm Hex Head Bolt
  5. 2 x Bolt Cap

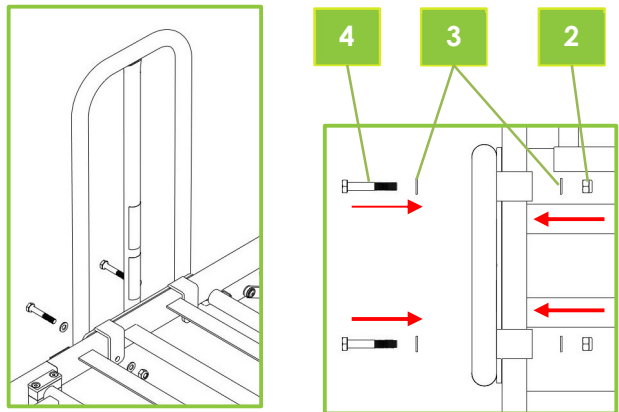


2. Additional tools required:
  1. 2 x 13mm spanner
3. Check that the delivery is complete and whether any visible damage has occurred to the CommunityBed Bed Lever during transport. If parts are missing or there is visible damage, contact Accora Customer Service.

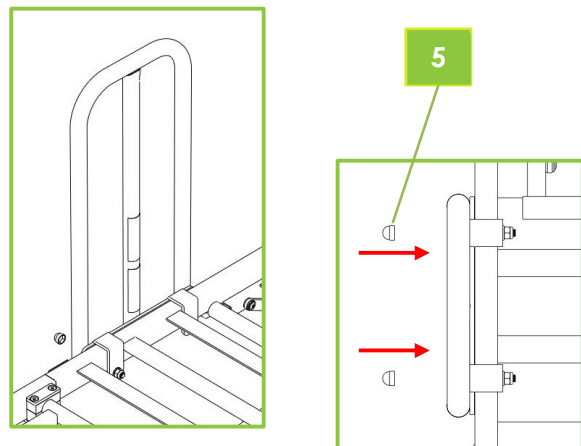
4. Make sure there is no obstruction to the Bed Lever fitting. Fit the Bed Lever to the bed frame in accordance with the positioning in Section 4:



5. Clamp the CommunityBed Bed Lever to the frame of the Community Bed with the bolts, washers and nuts. Tighten the nuts and bolts with the 13mm spanner.



6. Cap the head of the bolt with the bolt cap.



## 6. Functionality check

### WARNING

Fitting **MUST** be carried out by a suitably trained and qualified person.

All functions **MUST** be tested and approved by a competent person after assembly.

Functionality check must not be carried out with the bed occupied.

1. Check the nuts and bolts are tight.
2. Check the bolts are capped with bolt caps.
3. Check the CommunityBed Bed Lever does not slide or wobble on the bar to which it has been fitted.
4. Check the mattress for correct fitment.
5. Using the handset, raise and lower the Backrest and Legrest of the CommunityBed to ensure there is no potential of entrapment or collision.

## 7. Cleaning and Disinfection

### WARNING

Cleaning and disinfection **MUST** be carried out by a competent person.

All functions **MUST** be tested and approved by a competent person after cleaning or disinfection.

The CommunityBed Bed Lever **MUST** be cleaned and disinfected before re-using the Bed Lever for a different patient.

To disinfect the Bed Lever, only use detergents designed for use in healthcare. Do not use abrasives, scourers or other materials that could damage the coating. Do not use corrosives, caustics or strong acids. Do not use detergents that could alter the structure or behaviour of the plastics (petrol etc.).

## 8. Storage

For problem-free storage we recommend:

1. CommunityBed Bed Lever should be stored in a temperature between -20°C to +50°C, -4°F to +122°F
2. CommunityBed Bed Lever should be stored in a relative humidity (non-condensing) between 30% and 75%














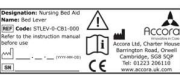

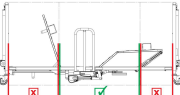
## 9. Guarantee

The warranty period for the CommunityBed Bed Lever is 2 years.

## 10. Disposal

In the event of the disposal of materials from the Bed Lever, end-of-life parts must be disposed of in accordance with current environmental regulations.

## 11. Table of symbols

	Warning, beware of potential hazard – refer to instruction for use
	Warning, beware of potential hazard – refer to instruction for use
	Refer to instructions for use
	Complies with the European Medical Device Regulation 2017/745
	Complies with the Medical Devices Regulations 2002 as amended.
	Medical Device in accordance with EU Medical Device Regulation 2017/745
	EC Representative
	Model number
	Serial number
	Manufactured date
	Manufacturer
	Safe
	Unsafe
	Manufacturer's nameplate
	Entrapment warning label
	Bed Lever positioning

## 12. Contact details

Address	Accora Ltd. Charter House Barrington Road Orwell Cambridge SG8 5QP UK
Telephone	+44 (0) 1223 206100
Email	info@accora.care
Website	www.accora.care

# Accora



Accora  
Barrington Road  
Orwell  
Cambridge  
SG8 5QP  
United Kingdom

T: +44 (0)1223 206100  
[info@accora.care](mailto:info@accora.care)  
[www.accora.care](http://www.accora.care)

IFU-CB1-002EN REV 04